

# TECHNICAL BULLETIN FOR LAND-ROVER

## AFFECTED RANGE:

All Td5 derivatives up to VIN: Discovery Series II 2A 736340  
Defender 2A 622424

## PROBLEM:

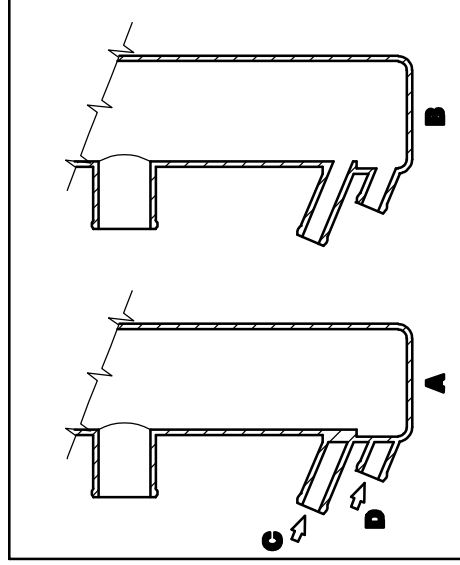
### RADIATOR – SPECIFICATION CHANGE – TO IMPROVE DURABILITY

The coolant passageways in the radiator have been modified and a restrictor was introduced into the fuel cooler to improve the durability of the radiator.

The modified radiator can be fitted as a replacement on all derivatives up to the above VIN numbers, and is fitted as standard from the above VIN numbers. The restrictor, which is supplied with the radiator, must be fitted into the fuel cooler. Illustrations 1 and 2 show a cut away view of the old and new specification radiators.

NOTE: The feed and return pipes, ("C" and "D" in illustrations 1 and 2) to the lower section of the radiator have been modified. Do not attempt to open these coolant passageways into the radiator.

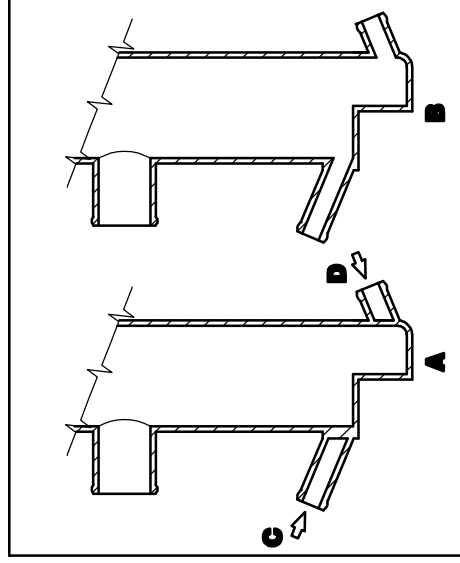
**1**



DISCOVERY SERIES II

A = THE NEW SPECIFICATION RADIATOR  
B = THE OLD SPECIFICATION RADIATOR

**2**



DEFENDER

A = THE NEW SPECIFICATION RADIATOR  
B = THE OLD SPECIFICATION RADIATOR